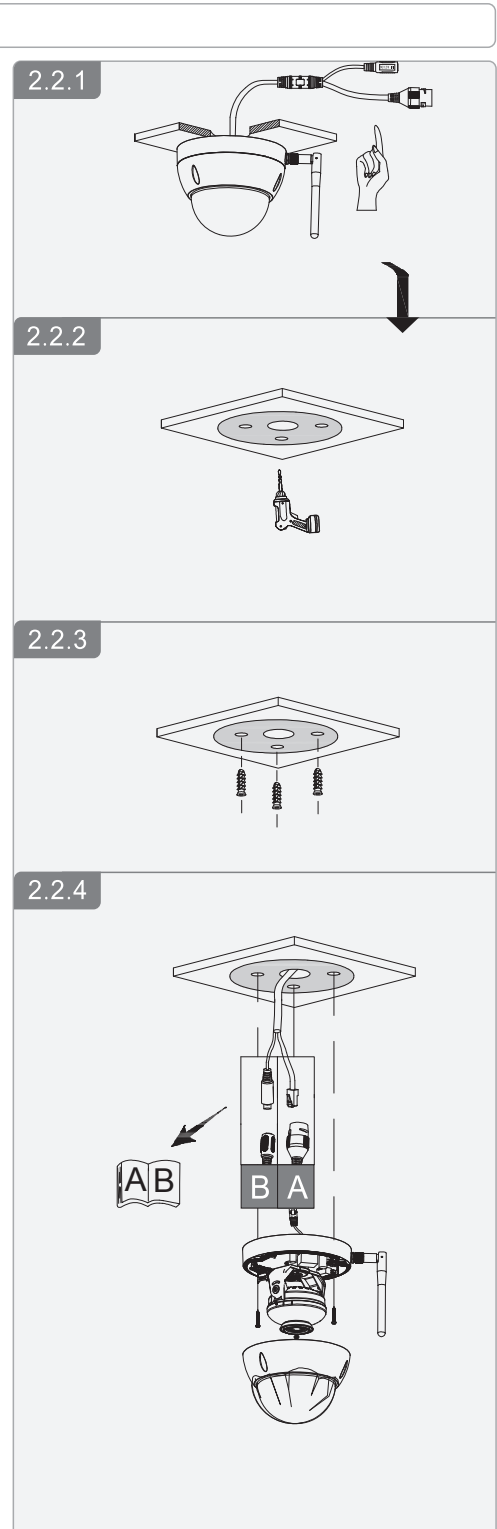
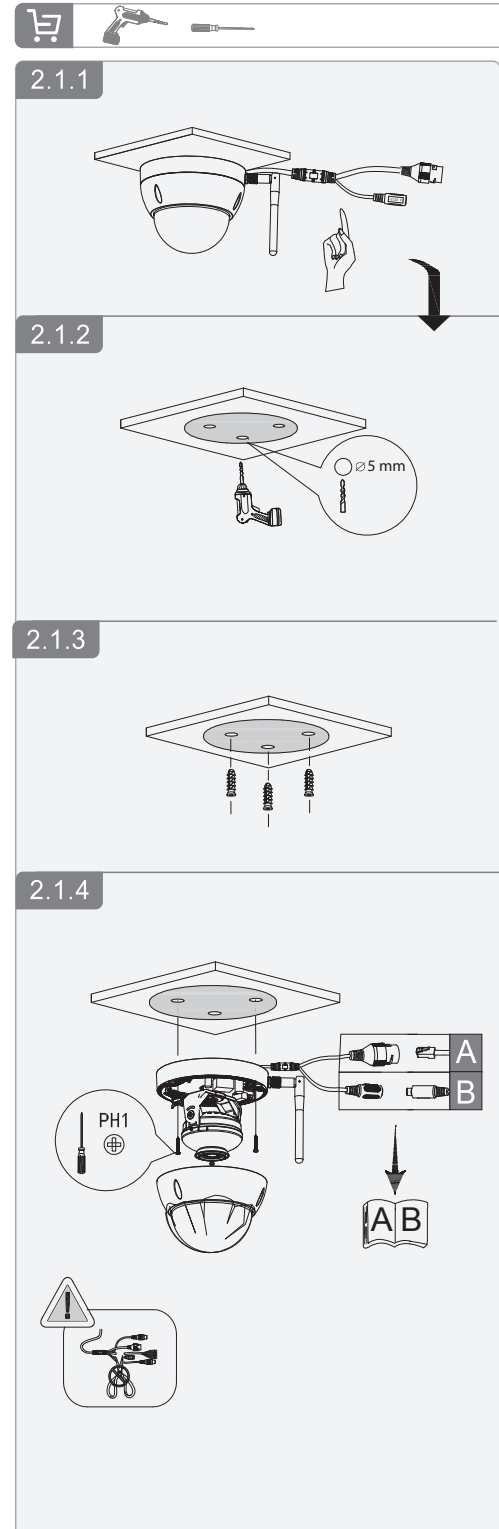
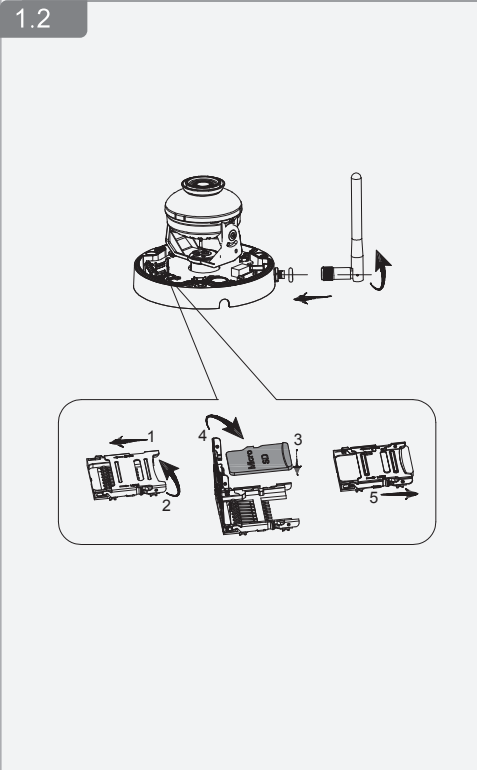
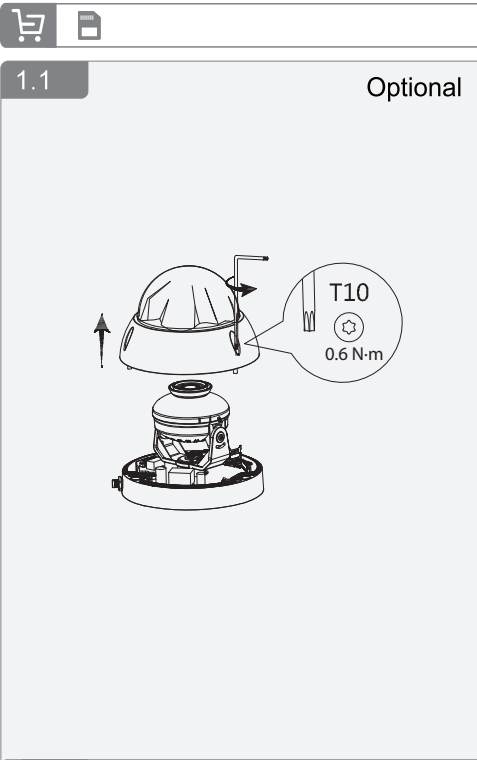
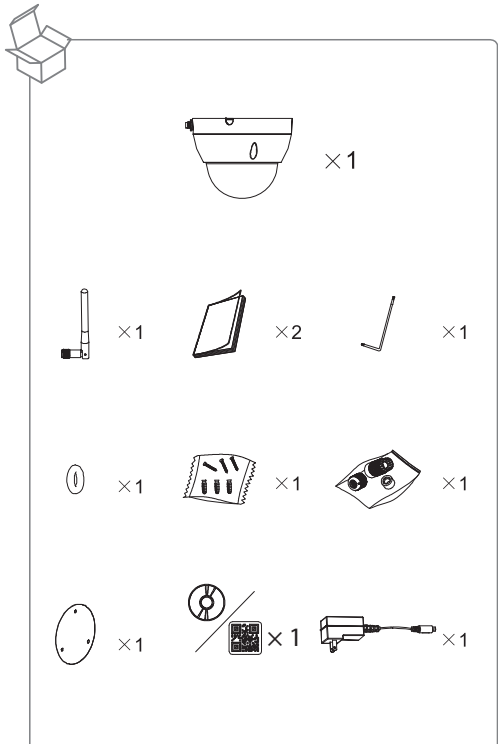


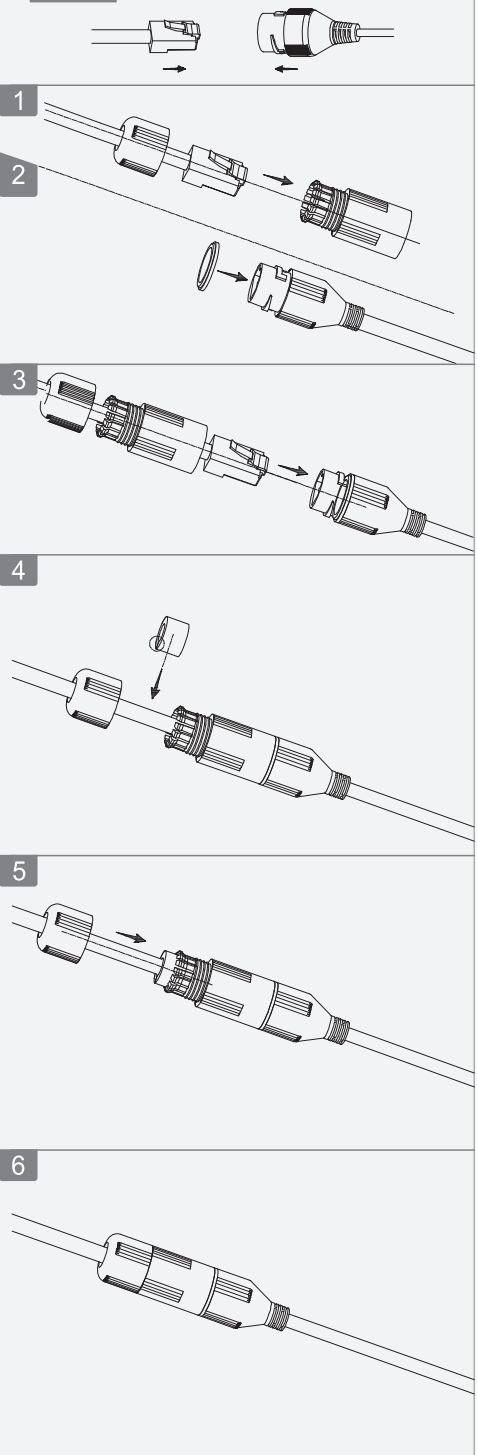
Dome Network Camera

Installation Guide

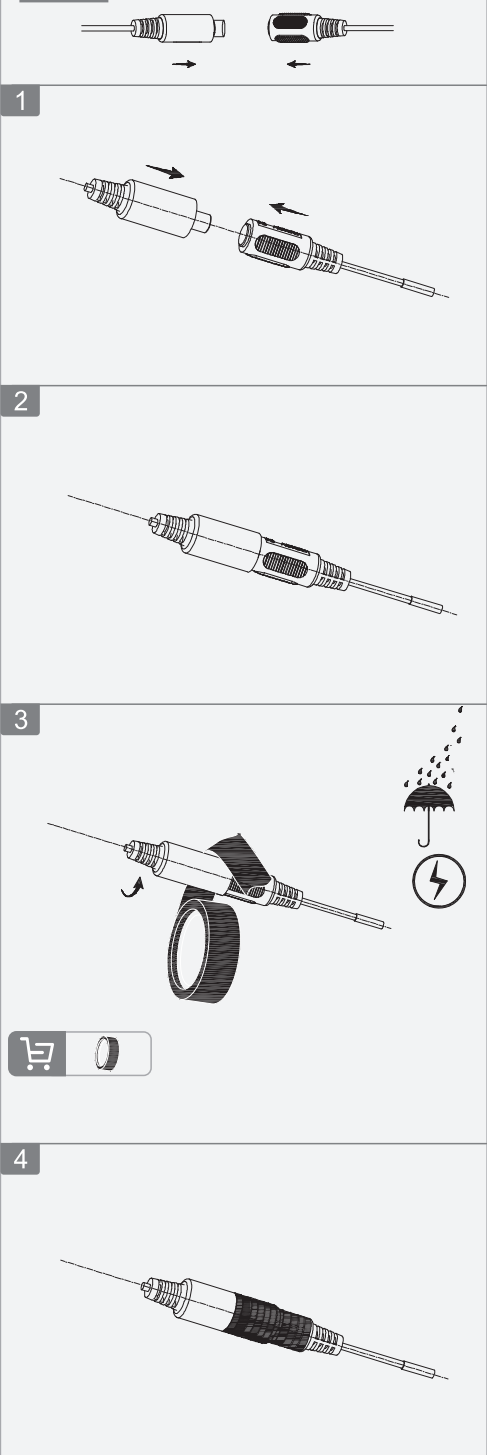
V1.0.1



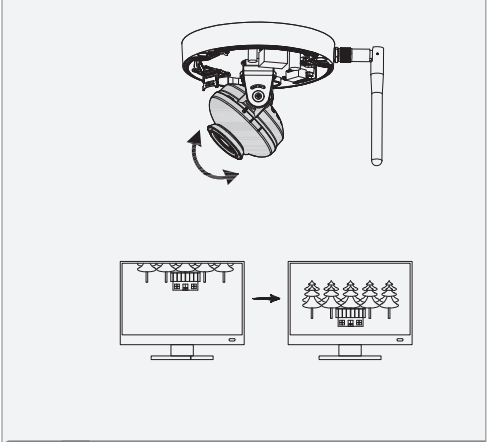
A Optional



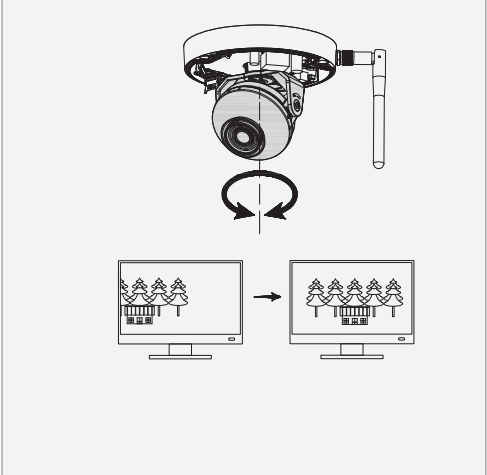
B



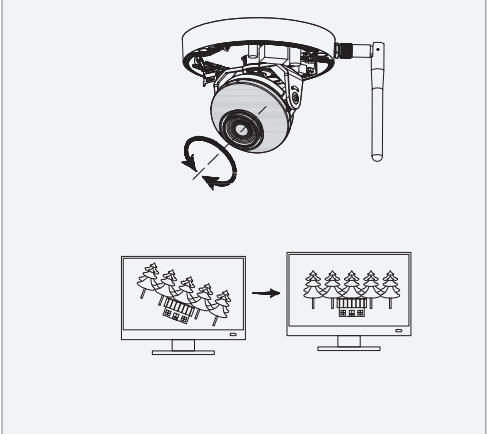
3.1



3.2



3.3



4.1

